

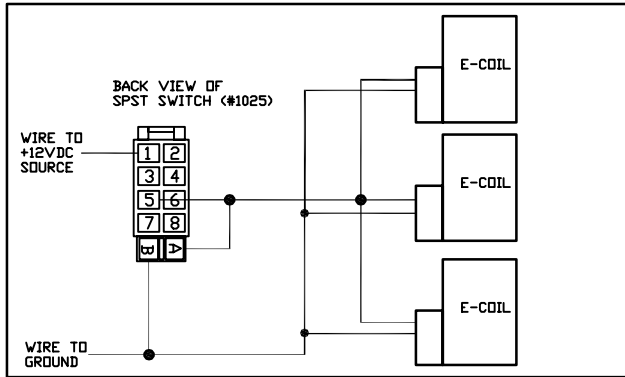
PLUMBING INSTRUCTIONS:

1. PLUMB "T" PORT INTO TANK PORT ON POWER BEYOND.
2. PLUMB "P" PORT INTO PRESSURE PORT ON POWER BEYOND.
3. "B IN" PORT FROM VALVE SECTION. "B OUT" PORT TO THE LIFTING SIDE OF CYLINDER.
4. "A IN" PORT FROM VALVE SECTION. "A OUT" PORT TO THE LOWERING SIDE OF CYLINDER.
5. TEE "LS" PORT INTO THE LOAD SENSE LINE OF THE SYSTEM. DO NOT USE A SHUTTLE IN THE LINE.

WIRING INSTRUCTIONS:

1. WIRE MK-2005 DIRECTLY TO MAKO II UNIT AND PLUG INTO THE DA FLOAT PLUG. THEN USE MAKO TRIM TO TURN ON / OFF FLOAT THROUGH JOYSTICK MOVEMENTS.
2. WIRE TO A SINGLE ON/OFF SWITCH. WHEN POWER IS ON THE MANIFOLD WILL HOLD THE SET LIFT PRESSURE. WHEN POWER IS OFF THE MAIN SECTION WILL CONTROL CYLINDER PRESSURES.

WIRING



ORDERABLE WIRING ACCESSORIES:

1. SPRAGUE ON/OFF SWITCH (PN 1025). (QTY 1)

TESTING THE BLOCKS PLUMBING:

1. TURN ON THE BLOCKS COILS.
2. TURN RELIEF IN UNTIL FLOW RAISES AND THEN BACK OUT AND FLOW SHOULD LOWER.

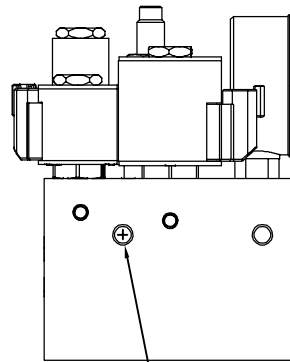
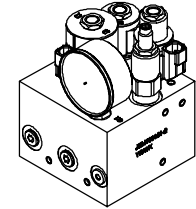
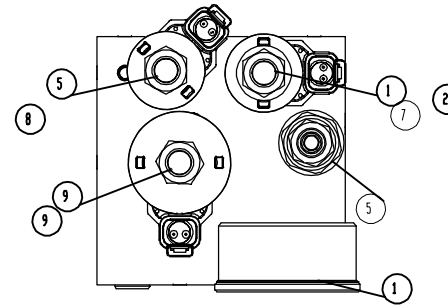
ITEM NO.	PART NUMBER	QTY.	DESCRIPTION	Torque	SealKit
9	CV04-20-0-N-4	1	CHECK VALVE	12-14 ft lbs	SK04-2N-T
8	HV10286-070	4	EXPANDER PLUG, 7 MM	NA	NA
7	4303512	1	12 VDC E-COIL, -10, METRIPACK	5 FT LBS	NA
6	4303412	1	12 VDC E-COIL -08 MPACK 150	5 FT LBS	NA
5	FR10-20A-0-N-2.5	1	REGULATOR VALVE	25 FT-LBS	SK10-2N-M
4	PR10-36A-0-N-15	1	REDUCING/RELIEVING VALVE	25 FT-LBS	SK10-2N-1M
3	SV08-20-0-N-00	1	2/2 SOLENOID VALVE	20 FT-LBS	SK08-2N-T
2	SV10-41-0-N-00	1	SOLENOID VALVE	25-FT-LBS	SK10-4N-MM
1	160702M-3	1	MANIFOLD BLOCK	NA	NA

HYD130025 / JEM100151-2

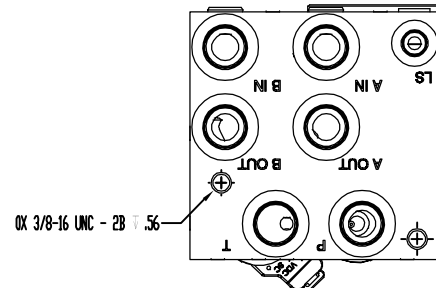
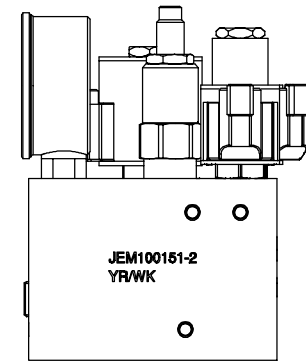
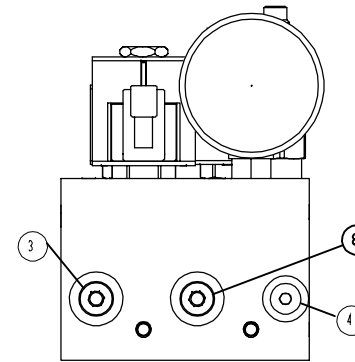
THIS DRAWING IS THE PROPERTY OF CIRUS CONTROLS. THIS IS TO BE CONSIDERED CONFIDENTIAL AND PROPRIETARY NO REPRODUCTION IN WHOLE OR PART WITH OUT PERMISSION IS ALLOWED.

NOTES:

1. PORT SIZES:
 G, LS.....SAE-4
 A,B,P.....SAE-8
 T.....SAE-12



ØX 3/8-16 UNC - 2B T .56



HYD100025 / JEM100151-2

CIRUS Phone: (763) 493-9380
 CONTROLS LLC Fax: (763) 493-9340
 7165 BOONE AVE. N. SUITE 190
 BROOKLYN PARK, MN 55428

REV	DATE	DESCRIPTION
A	6/15/2010	REVISED TO SHOW REV B BLOCK KTM
B	-	-
C	-	-
D	-	-
E	-	-

DESIGN:	DRAWN:	AS BUILT:	PROJECT NUMBER:	SCALE:	DATE:	REV.
JTM	JTM	-	HYD130025	NONE	1-21-11	A

MANUALLY ADJUSTABLE FLOAT BLOCK
 EDGE SAVER SERIES
 SHT 1 OF 1